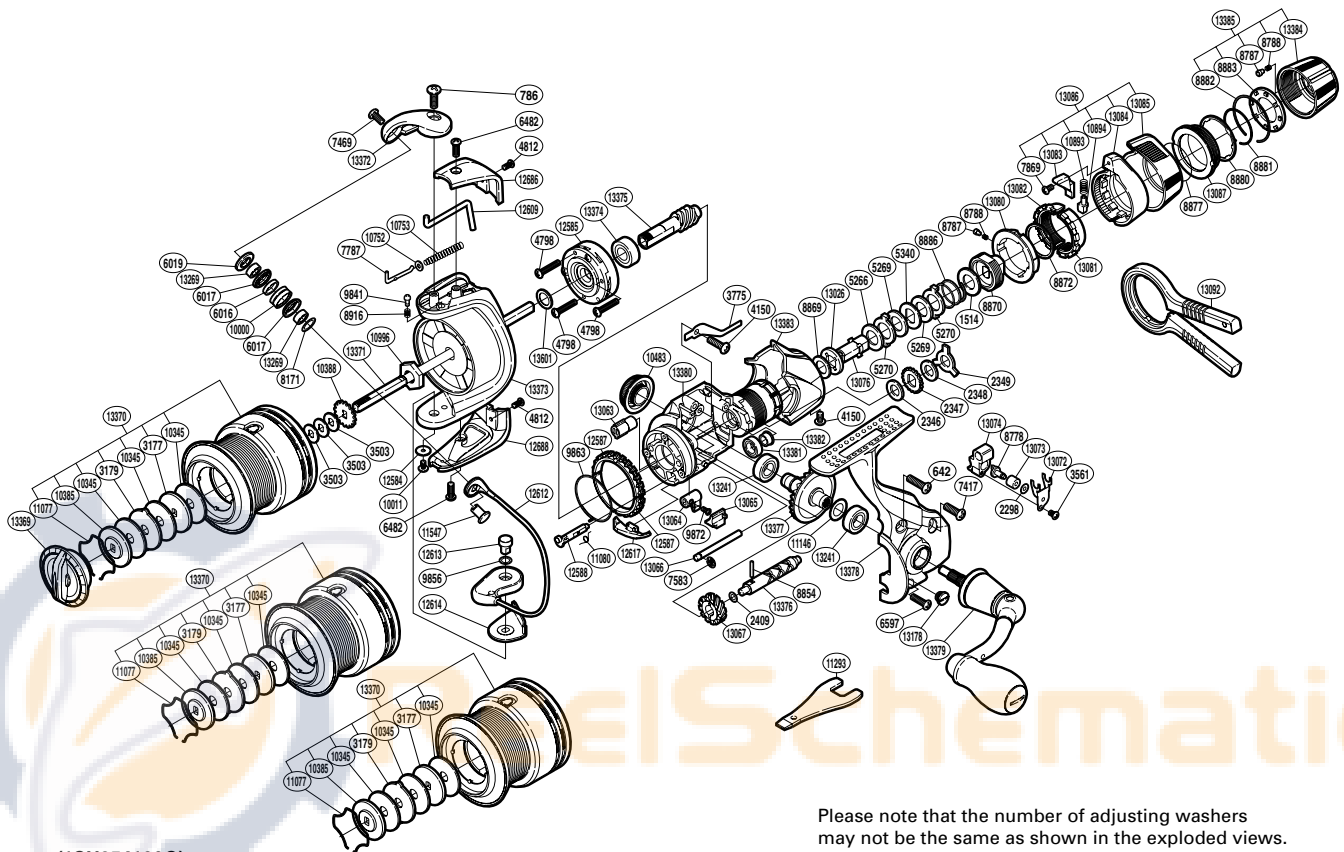


SHIMANO

TWIN POWER C14 SA-RB

TPCI4-4000SRA



(1SH054100G)

Please note that the number of adjusting washers may not be the same as shown in the exploded views. (Adjustment will vary with each individual product.)

Part No.	Description	Part No.	Description	Part No.	Description
RD 0642	Screw	RD 8880	Drag Knob Washer	RD13066	Oscillating Guide
RD 0786	Screw	RD 8881	Drag Knob Retainer	RD13067	Idle Gear
RD 1514	Washer	RD 8882	Click Plate Retainer	RD13072	Oscillating Slider Retainer
RD 2298	Spacer	RD 8883	Click Plate	RD13073	Oscillating Slider Bushing
RD 2346	Drag Washer	RD 8886	Drag Coil Spring	RD13074	Oscillating Slider
RD 2347	Click Gear	RD 8916	Click Spring	RD13079	Drag Shaft A
RD 2348	Drag Washer	RD 9841	Click Pin	RD13080	Lever Click Gear
RD 2349	Eared Washer	RD 9856	Washer	RD13081	Fightin' Pressure Screw
RD 2409	Spacer	RD 9863	Friction Spring	RD13082	Fightin' Pressure Screw B
RD 3177	Key Washer	RD 9872	Screw	RD13083	Fightin' Lever Inner B
RD 3179	Eared Washer	RD10000	Line Roller	RD13084	Fightin' Lever Inner A
RD 3503	Spool Washer	RD10011	Screw	RD13085	Fightin' Lever Outer
RD 3561	Screw	RD10345	Drag Washer	RD13086	Fightin' Lever Assembly
RD 3775	Drag Click	RD10385	Key Washer	RD13087	Drag Programmer B
RD 4150	Screw	RD10388	Spool Support	RD13178	Oil Cap
RD 4798	Screw	RD10483	Handle Screw Cap	RD13241	Ball Bearing
RD 4812	Screw	RD10752	Spring Guide A Support	RD13260	Drag Shaft B
RD 5266	Drag Washer	RD10753	Bail Spring	RD13269	Ball Bearing
RD 5269	Drag Washer	RD10893	Position Pin Spring	RD13369	Drag Knob
RD 5270	Eared Washer	RD10894	Lever Position Pin	RD13370	Spool Assembly
RD 5340	Key Washer	RD10996	Rotor Nut	RD13371	Main Shaft
RD 6016	Bearing Spacer	RD11077	Drag Washers Retainer	RD13372	Bail Arm
RD 6017	Line Roller Bushing	RD11080	Anti-Reverse Cam Spring	RD13373	Rotor
RD 6019	Line Roller Plate	RD11146	Washer	RD13374	Ball Bearing
RD 6482	Screw	RD11547	Line Roller Support	RD13375	Pinion Gear
RD 6597	Screw	RD12584	Washer	RD13376	Worm Shaft
RD 7417	Screw	RD12585	Roller Clutch Assembly	RD13377	Drive Gear
RD 7469	Screw	RD12587	Friction Ring	RD13378	Side Cover
RD 7583	E Lock	RD12588	Anti-Reverse Cam	RD13379	Handle Assembly
RD 7787	Bail Spring Guide A	RD12609	Bail Trip Lever	RD13380	Body
RD 7869	Screw	RD12612	Bail Assembly	RD13381	Ball Bearing
RD 8171	Washer	RD12613	Bail Hold Support Shaft	RD13382	Drag Shaft C
RD 8778	Oscillating Pawl	RD12614	Bail Hold Support Spacer	RD13383	Rear Protector
RD 8787	Click Pin	RD12617	Bail Trip Strike	RD13384	Drag Programmer A
RD 8788	Click Spring	RD12686	Bail Spring Cover	RD13385	Drag Programmer Assembly
RD 8854	Worm Shaft Pin	RD12688	Bail Hold Support Guard		
RD 8869	Drag Washer	RD13061	Washer		
RD 8870	Pressure Screw	RD13063	Worm Bushing		
RD 8872	Fightin' Pressure Screw Washer	RD13064	Anti-Reverse Lever	RD11293	Wrench (accessory)
RD 8877	Drag Knob Friction Ring	RD13065	Anti-Reverse Lever Cover	RD13092	Knob Wrench (accessory)